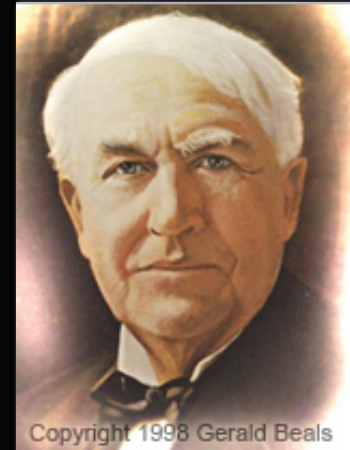


Vanessa Švárová

microsite



Thomas Edison.com



Thomas Alva Edison
American Inventor 1847-1931

Copyright 1998 Gerald Beals

June 6, 2017

- ▶ Home
- ▶ Biography
- ▶ Be Enlightened
- ▶ Gallery
- ▶ Quotes

Welcome to Edison's Homepage

"He led no armies into battle, he conquered no countries, and he enslaved no peoples... Nonetheless, he exerted a degree of power the magnitude of which no warrior ever dreamed. His name still commands a respect as sweeping in scope and as world-wide as that of any other mortal - a devotion rooted deep in human gratitude and untainted by the bias that is often associated with race, color, politics, and religion."



"Be courageous! Whatever setbacks America has encountered, it has always emerged as a stronger and more prosperous nation...."
"Be brave as your fathers before you. Have faith and go forward" Thomas Alva Edison"

All website content registered and copyrighted © 2/11/97 by Gerald Beals

All Rights Reserved
gerrybeals@comcast.net

Return to Brocktonma.com

PURE GENIUS



His greatest achievement!
The "Brockton Operation"
[Read more >](#)



The biography of Thomas Edison
[Read more >](#)

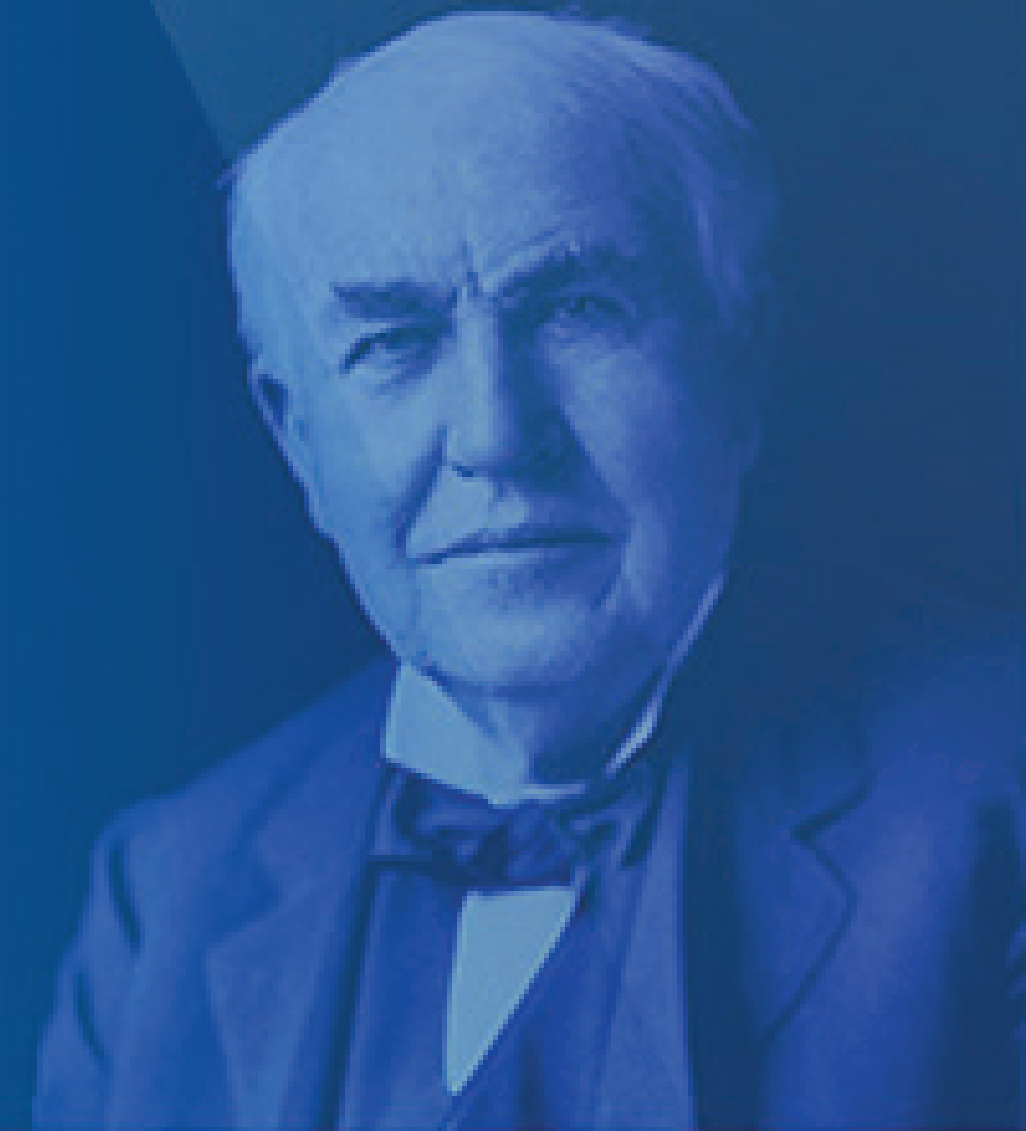
website design
mhreed7@comcast.net



Thomas Alva Edison

11.02.1847 – 18.10.1931
America's greatest inventor, businessman...

SCROLL TO EXPLORE LIFE



Franklin Medal

In 1915, was awarded Franklin Medal of The Franklin Institute for discoveries contributing to the foundation of industries and the well-being of the human race...



GOOLE FONT

NOTO SANS REGULAR

NOTO SANS BOLD

NOTO SERIF REGULAR

NOTO SERIF BOLD

WILD SAND

#F6F6F6

VENICE BLUE

#0B4782

EAST BAY

#393C72

KIMBERLY

#89799F

LONDON HUE

#B99FBA

PIZAZZ

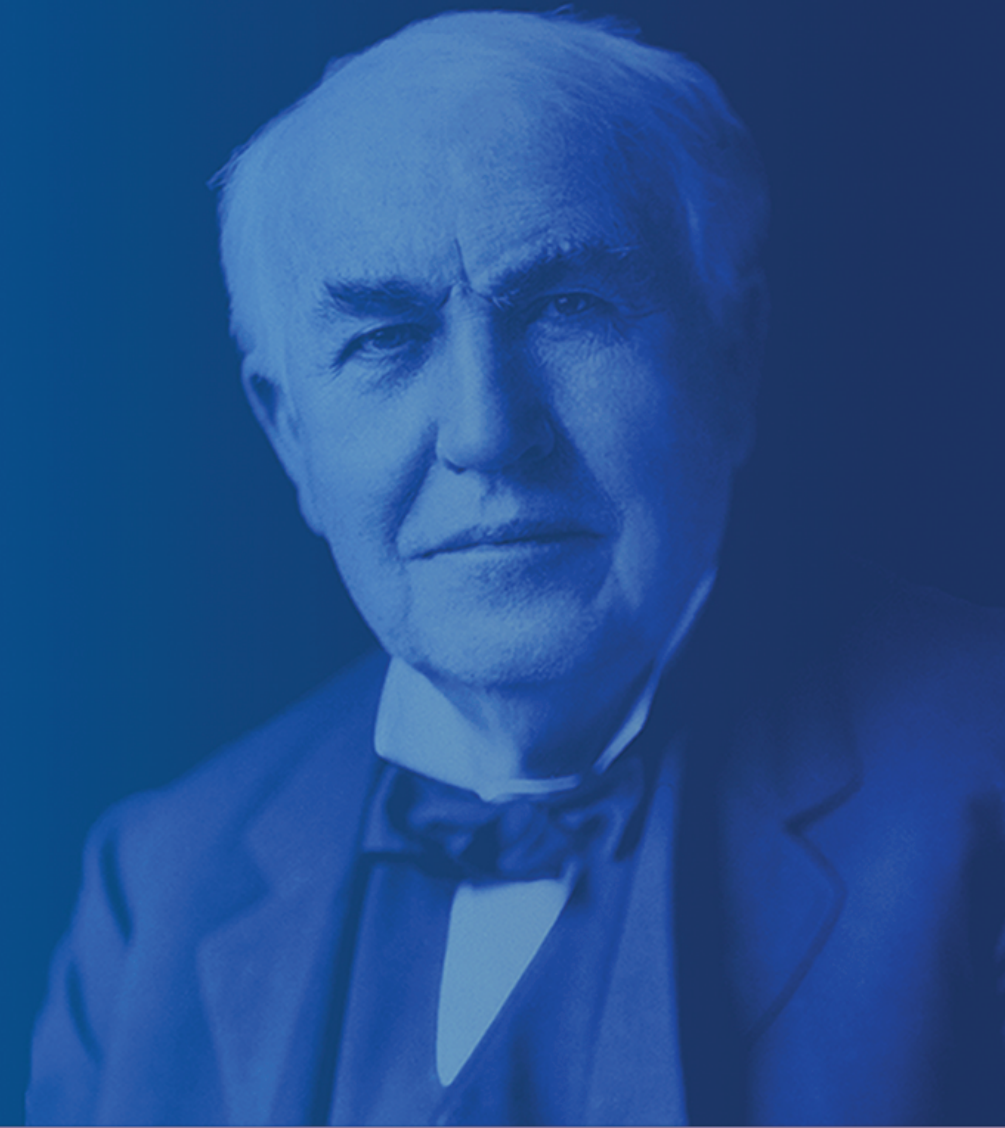
#FF8800



Thomas Alva Edison

11.02.1847 – 18.10.1931
America's greatest inventor, businessman...

SCROLL TO EXPLORE LIFE



Edison's Light Bulb

Historians agree that Thomas Edison was not the inventor of the electric light bulb, but he did produce the first commercially viable one...



Franklin Medal

In 1915, was awarded Franklin Medal of The Franklin Institute for discoveries contributing to the foundation of industries and the well-being of the human race...



“Thomas Edison's last words were *“It's very beautiful over there”*. I don't know where there is, but I believe it's somewhere, and I hope it's beautiful.”

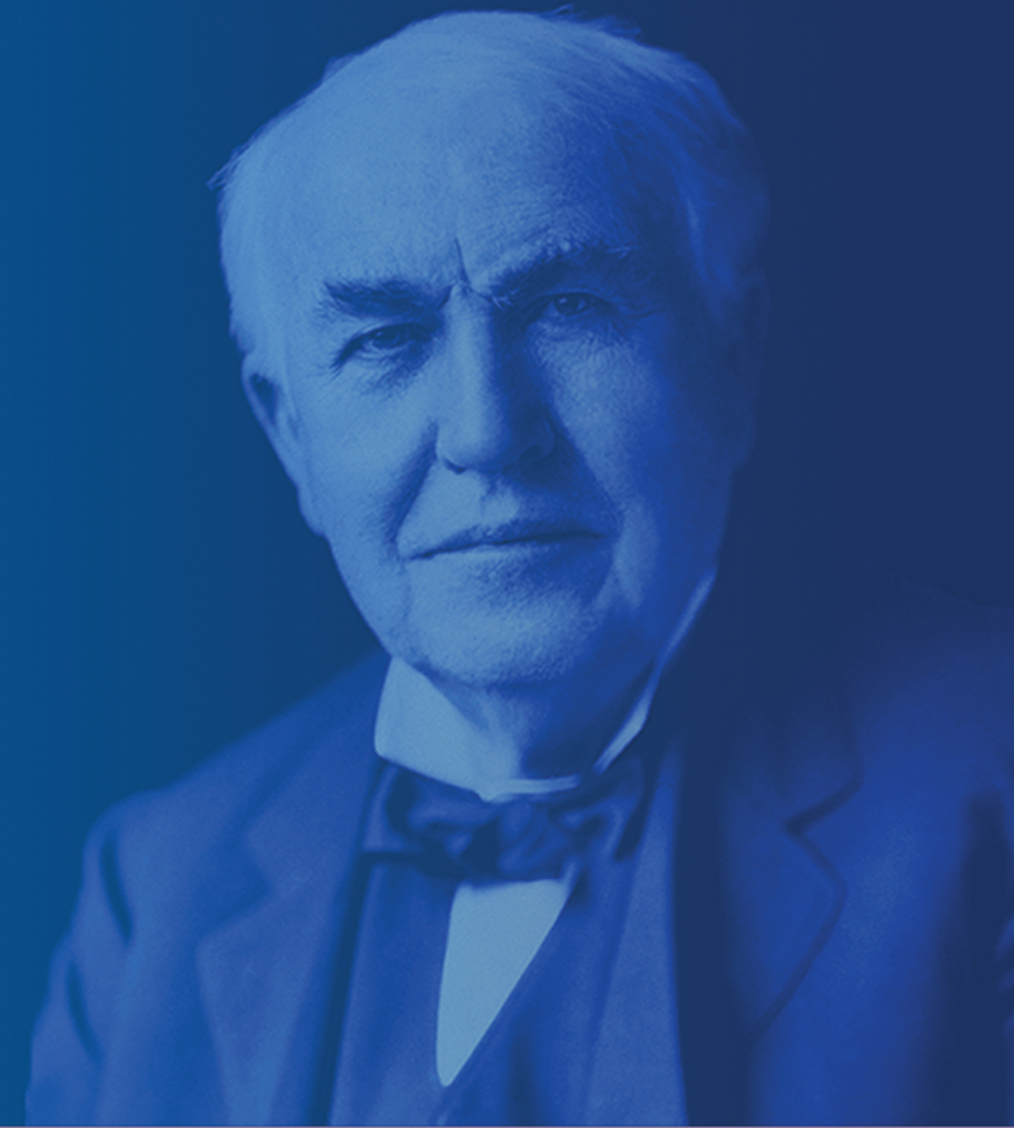
— John Green, *Looking for Alaska*



Thomas Alva Edison

11.02.1847 – 18.10.1931
America's greatest inventor, businessman...

SCROLL TO EXPLORE LIFE



Edison's Light Bulb

Historians agree that Thomas Edison was not the inventor of the electric light bulb, but he did produce the first commercially viable one...



Edison's Light Bulb

Historians agree that Thomas Edison was not the inventor of the electric light bulb, but he did produce the first commercially viable one...



Franklin Medal

In 1915, was awarded Franklin Medal of The Franklin Institute for discoveries contributing to the foundation of industries and the well-being of the human race...



“Thomas Edison's last words were *“It's very beautiful over there”*. I don't know where there is, but I believe it's somewhere, and I hope it's beautiful.”

— John Green, *Looking for Alaska*

life



Thomas Alva Edison was the most prolific inventor in American history. He amassed a record 1,093 patents covering key innovations and minor improvements in wide range of fields, including telecommunications, electric power, sound recording, motion pictures, primary and storage batteries, and mining and cement technology. As important, he broadened the notion of invention to encompass what we now call innovation-invention, research, development, and commercialization-and invented the industrial research laboratory. Edison's role as an innovator is evident not only in his two major laboratories at Menlo Park and West Orange in New Jersey but in more than 300 companies formed worldwide to manufacture and market his inventions, many of which carried the Edison name, including some 200 Edison illuminating companies.

early life

Edison was born in 1847 in the canal town of Milan, Ohio, the last of seven children. His mother, Nancy, had been a school teacher; his father, Samuel, was a Canadian political firebrand who was exiled from his country. The family moved to Port Huron, Michigan, when Thomas was seven. He attended school briefly but was principally educated at home by his mother and in his father's library.

In 1859 Edison began working on a local branch of the Grand Trunk Railroad, selling newspapers, magazines, and candy. At one point he printed a newspaper on the train, and he also conducted chemical experiments in a baggage-car laboratory. By 1862 he had learned enough telegraphy to be employed as an operator in a local office.

From 1863 to 1867 he traveled through the Midwest as an itinerant telegrapher. During these years he read widely, studied and experimented with telegraph technology, and generally acquainted himself with electrical science.

early inventive career

In 1868 Edison became an independent inventor in Boston.



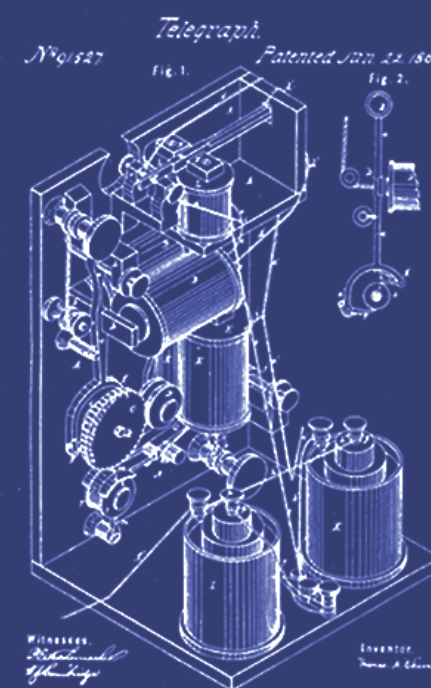
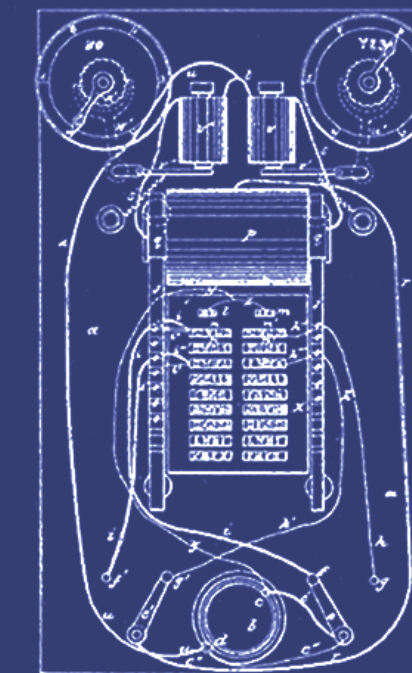
inventions & projects



Thomas Edison's Inventions have made profound impacts on society. So many of Thomas Edison's inventions are held in such high regard that he is considered the greatest inventor of all time. Following are just a few of Thomas Edison's inventions as well as Thomas Edison's patents that he submitted to the patent office.

1 the electrographic vote recorder

As Edison's first patent, this device permitted voters to push a 'yes' or 'no' switch instead of writing their vote.



2 automatic telegraph

In an effort to improve the telegraph, Edison created another, based on his perforated pen, that required no one to tap out the message at the receiving end. This new technology increased words transmitted per minute from 25-40 to as many as 1,000. Edison also eventually produced a 'speaking telegraph.'

awards



Edison was felicitated with numerous medals and awards for his magnanimous contribution to mankind. He was inducted in New Jersey Hall of Fame and Entrepreneur Walk of Fame. He received various medals including John Scott Medal, Edward Longstreth Medal, John Fritz Medal, Franklin Medal and Edison Medal. His birthday is marked as National Inventor's Day.



technical grammy award

In 2010, Edison was honored with a Technical Grammy Award.



quotes



“Our greatest weakness lies in giving up. The most certain way to succeed is always to try just one more time.”

“I have not failed. I've just found 10,000 ways that won't work.”

“Opportunity is missed by most people because it is dressed in overalls and looks like work.”

prototyp

d'akujem
za pozornosť